



DMX-Fix

Category

G) DMX Splitters

Description

5 port DMX512 Splitter and Fixer



Mechanical

- Housing: Robust Desktop Style Case
- Material: Aluminium
- Overall Dimensions: 195mm (W) x 115mm (H) x 55mm (D)
- Mass: 0.67kg
- Mounting: Desktop Mount / Truss Mount (not supplied)
- Country of Manufacture: United Kingdom

Electrical

- Input Voltage: 9 to 24V DC
- Input Connector: 4pin Male XLR
- Input Power (max): 5W
- Duty Cycle: 80% @ 25°C

Environmental

- Operating Temperature: 0°C to 40°C
- Storage Temperature: -10°C to +50°C
- Operating Relative Humidity (max): 80% Non-Condensing
- IP Rating: IP20 Indoor Use Only
- Certification: CE FCC
- Warranty: 2 Year (Return to Base)

User Interface / Indication

- Connections:
 - (1) 5pin Male XLR DMX Input
 - (1) 5pin Female XLR DMX Loop
 - (1) 4pin Male XLR DC Voltage Input
 - (5) 5pin Female XLR DMX Outputs
- Indication: Power / Data / RDM

Control

- Control: 5 Port DMX Fixer / Splitter
- Input Protocols:
 - DMX512, DMX512(1990), DMX512-A
 - RDM (Draft & Standard V1.0)
- Input Connector: 5pin Male XLR
- Output Protocols:
 - DMX512 Only; Refresh=33Hz
 - Brk=250uS, MaB=30uS
 - P=30mS, C=512, MbB=30uS
 - RDM is ignored
- Output Connector: 5pin Female XLR

Isolation / Protection

- Isolation:
 - Opto-Isolated DMX Input
 - DMX Output - Ground Referenced
- Protection:
 - Internal Resettable Fuse - Control Electronics
 - +15kV ESD DMX Driver Protection

Package Contents

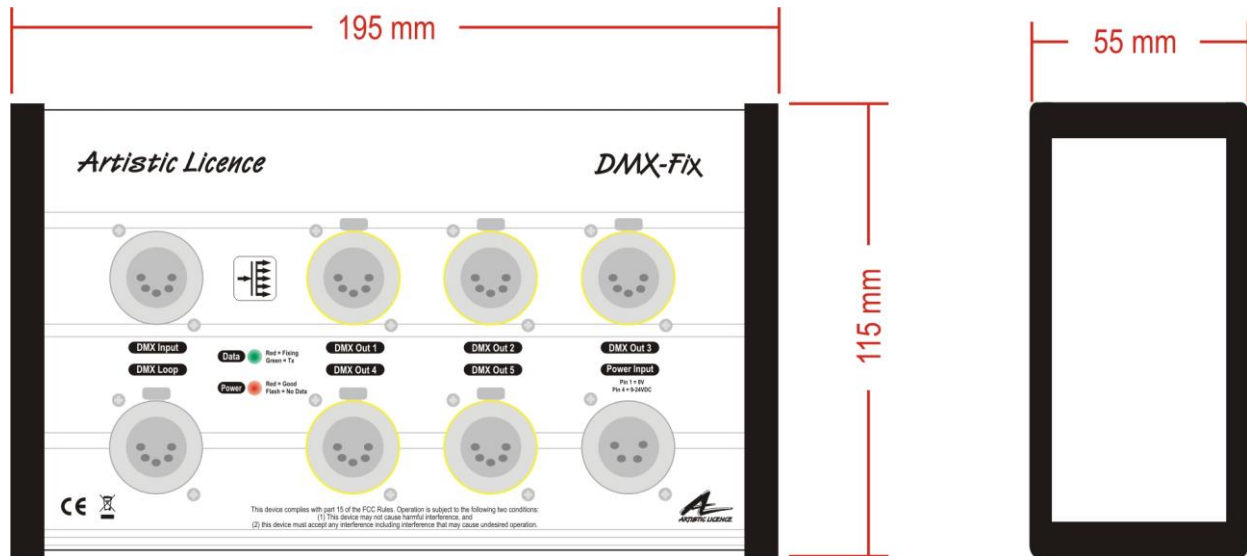
- DMX-Fix
- User Guide

Ordering Info

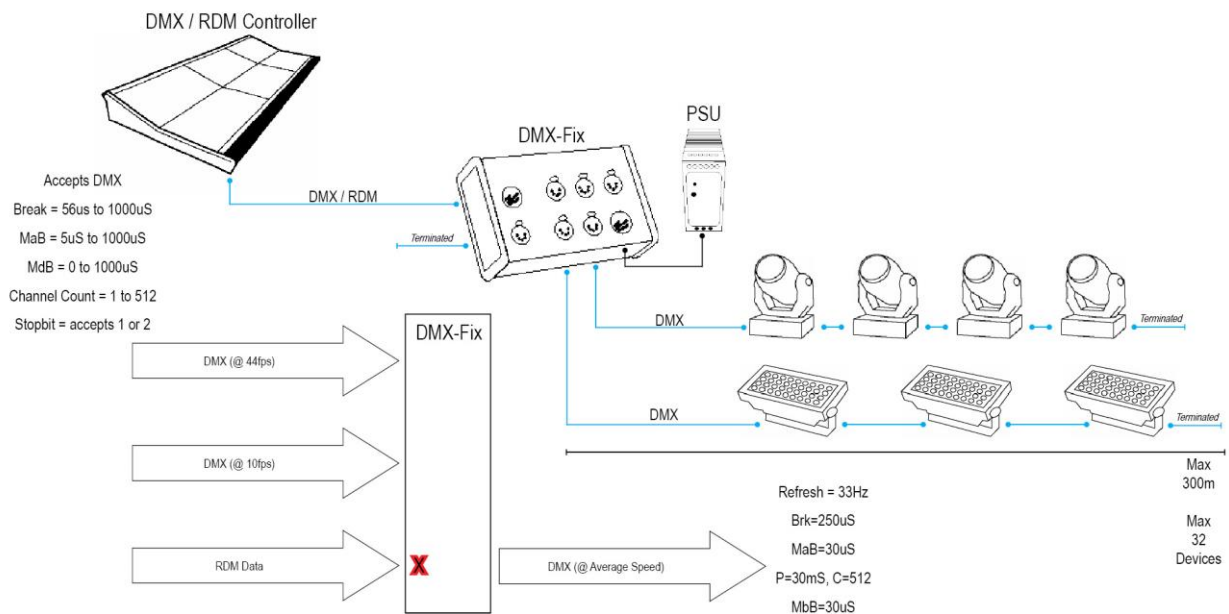
Product Code: DMX-Fix
(Requires external PSU)
Accessories (not included):
PSU-9-1.5-XLR4
Truss Ears



Mounting Drawing



Wiring Drawing



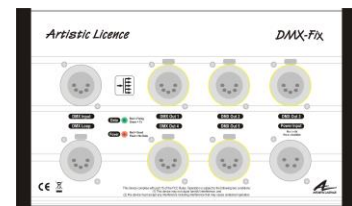
Artistic Licence Engineering Ltd

Studio 1, Spectrum House
32-34 Gordon House Road
London, NW5 1LP
United Kingdom

Telephone +44 (0)20 8863 4515
Fax +44 (0)20 8426 0551
Email: Sales@ArtisticLicence.com
www.ArtisticLicence.com

Customer support and knowledge base:
www.ArtisticLicence.com/support.html

All products are covered from date of purchase by a two-year return to base warranty.



Due to our policy of continuing product improvement, specifications are subject to change without notice.

Artistic Licence

DMX-Fix

輸入販売総代理店

株式会社 テクニカル サプライ ジャパン

〒154-0014 東京都世田谷区新町1-21-16

TEL : 03-3425-2400 FAX:03-3425-2402

<http://www.tsjnet.co.jp>